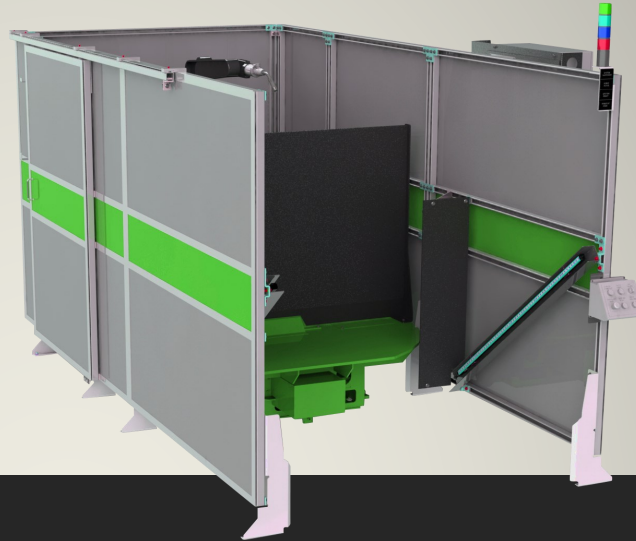


PADGET
TECHNOLOGIES, INC

WELDING CELLS FEATURING
POSITIONERS



VERSA 3M Pre-Engineered Robotic Welding Solution

For welding high-volume production parts that do not require repositioning

VERSA 3M Weight Capacity: 750-lbs (per station)

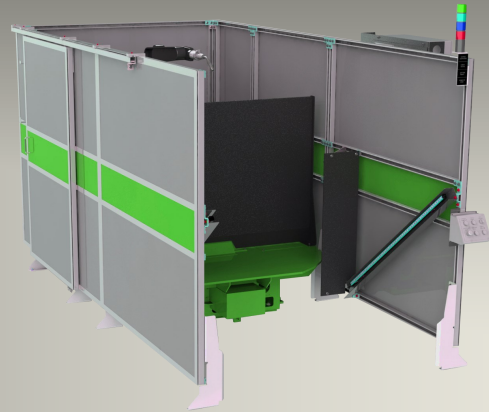
Fast Index Times and Reduced Weld Cycles With Maximum Flexibility

The Genesis Versa 3M pre-engineered robotic work cell features a pneumatic turntable positioner that offers multiple robot configurations for maximum flexibility.

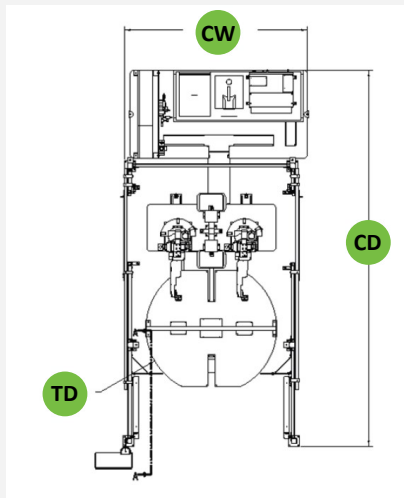
- ✓ Fast index time reduces overall weld cycle time
 - ✓ Configurable to meet application requirements
 - ✓ Common base for robot / positioner
 - ✓ Low table design with adjustable load height
- Cost efficient pneumatic main sweep design

PADGETTECHNOLOGIES.COM

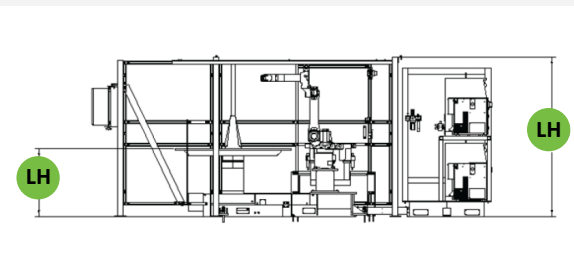
VERSA 3M



TOP VIEW



SIDE VIEW



Standard Dimensional Specifications

- TD Table Diameter:** 71-inches (1803-mm)
- TH Table Height:** 17-inches (431-mm)
- CW Cell Width:** 91-inches (2311-mm)
- CD Cell Depth:** 207-inches (5257-mm)
- CH Cell Height:** 85-inches (2159-mm)

Standard Component Options

- Robot Models:** FANUC, Panasonic, Yaskawa Motoman, ABB
- Process Gear:** Miller, Lincoln, Fronius
- Welding Torches:** TBi, Tregaskiss, Abicor Binzel, Fronius
- Torch Cleaners:** TBi, Tregaskiss, Abicor Binzel
- Controls:** Allen-Bradley

Platform Specifications

BASE

Main axis	Pneumatically driven
Main sweep index time	3.0 to 4.0 seconds
Table diameter	71-inches (1.8-meters)
Weight capacity	750-lbs (340-kilograms)



915 Center St.
Cedar Falls, IA 50613
TEL: 319-268-6827

WWW.PADGETTECHNOLOGIES.COM